

HBL15W33 -- Elastogrip Series Connector Body



2R3W, 20A 125V, 5-20R, Yellow Elastomer, Watertight

Product Specifications

Product Type



Body Style

Straight

Standard

NEMA

Amperage

20A

Voltage

125V

Poles and Wires

2 Pole, 3 Wire Grounding

Wiring Method

Back Wire

Hospital Grade ?

No

Plug/Connector Grade

Elastogrip

Enhancement

Water Tight

Color

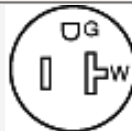


Yellow

NEMA No.

5-20R

Cord Dia.	.300"-.655" (7.6-16.6)
Description	Straight Blade Connector
Type	2 Pole, 3 Wire, Grounding
Rating	20A, 125V
Certification	UL Listed to UL498 File E1706, CSA Certified to C22.2 No. 42 File 280
IP Suitability	IP20
Housing Material	PVC-Yellow
Retainer Material	Polycarbonate-Clear
Cord Clamp Material	Nylon-Yellow
Terminal Screw Material	#8-32 Brass, Multiple Drive
Ground Screw Material	#8-32 Brass, Multiple Drive (Green)
Wire Clamps Material	0.062" (1.6) Steel - Ni Plated
Body Holding Screws	Steel Multiple Drive
Contact Holder Material	Nylon-Natural
Power Contacts Material	.040" (1.0) Copper Alloy
Dielectric Voltage	Withstands 2,000V minimum.
Current Interrupting	Certified for current interrupting at full rated current.
Temperature Rise	Max 30°C temperature rise at full rated current after 50 cycles of overload at 150% of rated current at a power factor of 75%..
Terminal Identification	Terminals identified in accordance with UL498 (Brass, White, Green).
Terminal Accommodation	#14-#10 AWG copper stranded or solid conductor only.
Product Identification	Ratings are a permanent part of the device.
Flammability	UL 94 HB or better.
Operating Temperatures	Maximum continuous 75°C, minimum -40°C (w/o impact).
M Drawings	Click here for M-Drawing
Catalog Page	Click here for catalog page A18
Brochures	Click here for product brochure
Catalog Section	Click here for Section-A
UPC Number	78358501334
Weight in LBs	0.2

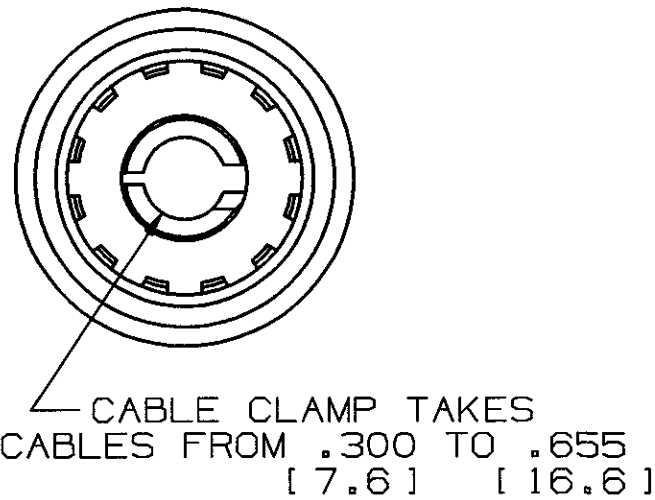
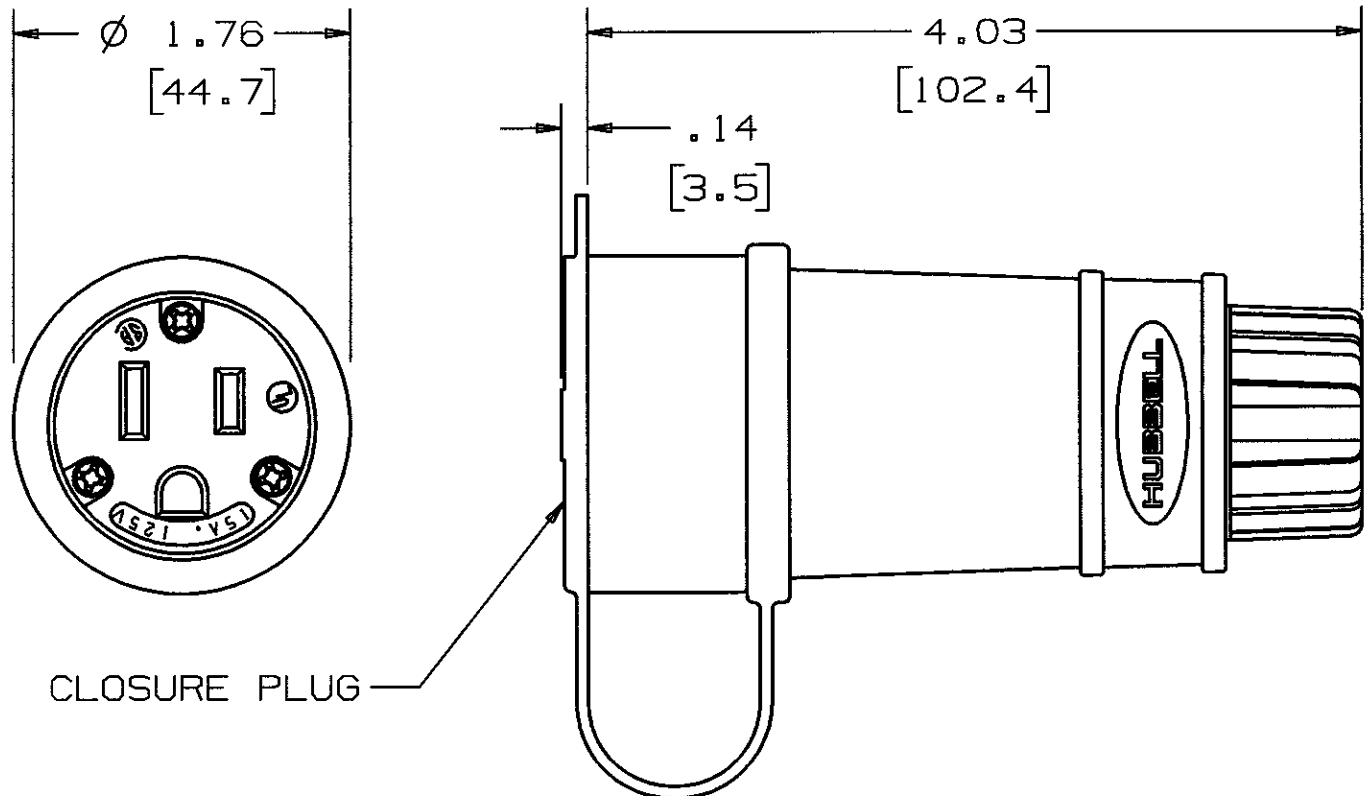


NEMA 5-20R
20A 125V
UL CSA

NEMA
Configuration



M-6400 2



LIST OF PARTS		
DESCRIPTION	MATERIAL	FINISH
BODY	NYLON	NATURAL
RETAINER	POLYCARBONATE	AMBER
WIRE CLAMP	.062 C.R.S.	NICKEL PLATE
CONTACT SPRING	.031 BRONZE	
BINDING SCREW	BRASS	*
GR HEX HD BIND'G SCR	BRASS	GREEN
SPACER	NYLON	NATURAL
NUT	NYLON	YELLOW
GLAND	NEOPRENE	GRAY
OUTER SLEEVE	VINYL	YELLOW
CLOSURE PLUG	VINYL	YELLOW
GOTCHA RING	NYLON	

* WHITE FINISH ON NEUTRAL

SUPERSEDES DRAWING DATED 5-1-84

CAT. NO.	CONFIGURATION	RATING
HBL15W47	NEMA 5-15R NON-LOCKING	15A.125V
HBL15W33	NEMA 5-20R NON-LOCKING	20A.125V
HBL25W47	NEMA L5-15R LOCKING	15A.125V

NOTES: (UNLESS OTHERWISE SPECIFIED)

- 1) DIMENSION FORMAT IS: INCHES [mm]
- 2) DIMENSIONS SHOWN ON THIS DRAWING ARE NOMINAL VALUES FOR GENERAL USE ONLY. ACTUAL PART TOLERANCES MUST BE OBTAINED FROM HUBBELL ENGINEERING.

2	REDRAWN WITH CHANGES; ADDED "HBL" TO 15W47, 15W33, & 25W47; DUAL DIMENSIONS WERE FRACTIONAL ONLY; ADDED NOTES 1 & 2; "SEE TABLE" WAS "SEE CHART"; IN PARTS LIST "POLYCARBONATE" WAS "LEXAN"; PER DCN #8682. JMN	TCM	12/7/01
SYM	REVISIONS	APP	DATE

THE DESIGN AND DIMENSIONS OF THE PRODUCT SHOWN ON THIS DRAWING ARE SUBJECT TO CHANGE WITHOUT NOTICE

TITLE
2 POLE 3 WIRE WATERTIGHT ELASROMERIC CONNECTORS

TOLERANCES UNLESS OTHERWISE SPECIFIED FRACTIONS ±1/64 DECIMALS ±.005 ANGLES ±2°	WIRING DEVICE-KELLEMS HUBBELL INCORPORATED BRIDGEPORT, CT	
	DR. BY A.Z.	APP. BY J.N.C.
	TR. BY J.M.N.	SCALE 1:1
	CHK'D BY	DATE 6/9/00

DIMENSION SHEET FOR CAT. NO. SEE TABLE

REPAIRABLE NON-REPAIRABLE

B

M-6400

N

Straight Blade Devices

2 Pole, 3 Wire Grounding

15 and 20 Ampere, 125 Volts

ELASTOGRIP® Plugs and Connector Bodies



IP20 and IP55

SUITABILITY



NEMA 5-15P
15A 125V
UL CSA
0.5 HP



NEMA 5-20P
20A 125V
UL CSA
1 HP

Elastogrip Plugs

Description	Cord Dia.	Catalog Numbers
Yellow elastomer, dust tight.	.300"-.655" (7.6-16.6)	HBL1447 HBL1433
Yellow elastomer, watertight.	.300"-.655" (7.6-16.6)	HBL14W47* HBL14W33*

Note: Horsepower ratings listed are AC only.

*Watertight plugs IP55 suitability when installed and used properly with mating Elastogrip watertight connector bodies.

IP20 and IP55

SUITABILITY



NEMA 5-15R
15A 125V
UL CSA



NEMA 5-20R
20A 125V
UL CSA

Elastogrip Connector Bodies

Description	Cord Dia.	Catalog Numbers
Yellow elastomer, dust tight.	.300"-.655" (7.6-16.6)	HBL1547 HBL1533
Yellow elastomer, watertight.	.300"-.655" (7.6-16.6)	HBL15W47* HBL15W33*

Notes: Connector bodies are not HP rated.

*Watertight connectors IP55 suitability when closure plug inserted or when installed and used properly with mating Elastogrip watertight plug.